



Marsh EN Standard Septic Tank & Cesspool Ranges

Tested & Certified To EN12566-1

Spherical 2800L, 3800L & 4500L

Shallow Cylindrical 2800L-10000L

Designed for off mains drainage, we offer three forms of septic tank, & Cesspools all have been approved and tested to the EN12566-1 Standard. We also offer a range of shallow cylindrical septic tanks 2800 litre to 6000 litre. The Cesspools require emptying and only have one 110mm inlet, these can also be chemically lined. Chemical lined Cesspools are designed for caravan parks, agricultural and marine use.

The Marsh Septic & Cesspool Tanks are manufactured with Virgin Resin & Glass.

The Marsh Septic Tanks are designed with a unique central keying in lip that means in good ground conditions (where there is not a high water table) they can be installed in a granular surround.

Marsh Septic Tanks can not be discharged into a river or watercourse. Our three ranges of septic tanks are:

- ◆ **The EN Septic range allows the solids to settle in the form of sludge with the lighter liquid undergoing a biological process through the contact with the oxygen this allows the solids to further breakdown, this lighter liquid still contains smaller particles of solids and high levels of BOD but passes through the septic tank into the drainage field.**
- ◆ **Green Filter Septic Tanks, offer further filtration of the final effluent. This filtration reduces the levels of BOD & the volume of suspended solids. Green Filter septic's have the patented Polylok® filter fitted into the outlet Tee piece, this is easily accessible and takes 30 seconds to clean. By choosing a Green Filter septic tank, you will prevent the blocking of the soak-away, reduce smell and lower the risk of raw sewage rising to the surface of land drain.**
- ◆ **Five Filter Septic Tanks, produce the cleanest effluent a 20:30: standard, the unit aerates the sewage in a biological zone within the unit, Polylok filters along with an internal re-cycling ensure the effluent that passes into the soak-away is free from solids and smell. The unit uses energy saving compressors average running costs are £50 per annum.**



A Full Load Of Marsh Sewage Products Being Despatched To One Of Our Merchant Customers



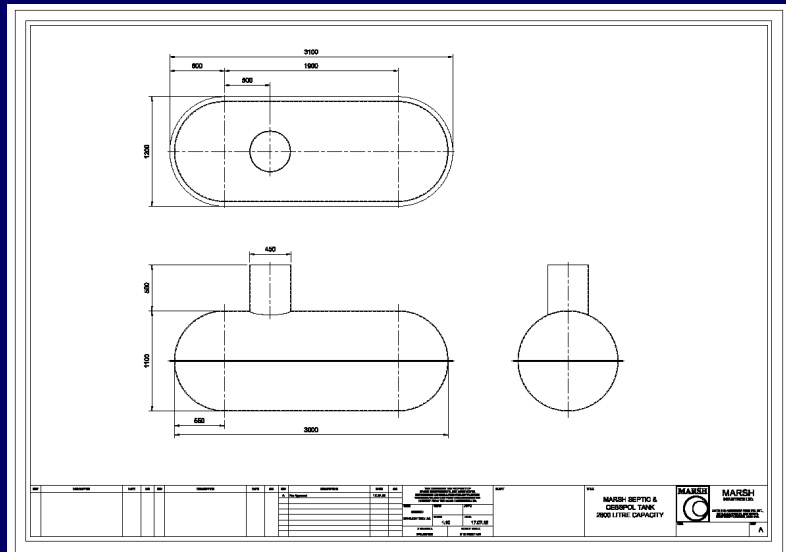
Contact Marsh Industries Limited. For Prices & Details T.0044 1933 654582 F.0044 1933 654583
www.marshindustries.co.uk www.grenfilterseptic tanks.co.uk E.sales@marshindustries.co.uk

Marsh Septic & Cesspool Tank Sizing Details:

EN Standard Septic/Cesspools	Litres	No. Of People	Inlet Invert Depth	Dia.	Height	Pipe Dia.
EN2800	2800	4	1m	1750	2800	110mm
EN3800	3800	10	1m	1850	2950	110mm
EN4500	4500	14	1m	2020	3000	110mm
Shallow Cylindrical	Litres	No. Of People	Invert	Dia.	Length	
EN2800 Shallow Cylindrical	2800L	4	250mm-500mm	1100	3000m length	110mm
EN3800 Shallow Cylindrical	3800L	10	250mm-500mm	1250	3150m length	110mm
EN4500 Shallow Cylindrical	4500L	14	250mm-500mm	1600	2950m length	110/160mm
EN6000 Shallow Cylindrical	6000L	18	250mm-500mm	1900	2950m length	110/160mm
EN10000 Shallow Cylindrical	10000L	25	250mm-500mm	1900	4200m length	110/160mm
Green Filter Septic Tank	Litres	No. Of People	Inlet Invert Depth	Dia.	Height	Pipe Dia.
MP2800	2800	4	1m	1750	2800	110mm
MP3800	3800	10	1m	1850	2950	110mm
MP4500	4500	14	1m	2020	3000	110mm
Five Filter	Litres	No. Of People	Inlet Invert Depth	Dia.	Height	Pipe Dia.
FF2800	2800	4	1m	1750	2800	110mm
FF3800	3800	10	1m	1850	2950	110mm
FF4500	4500	14	1m	2020	3000	110mm

Marsh has one of widest certified ranges of off mains sewage systems in Europe.

- ◆ Other Marsh Products Include:
- ◆ Uni:Gem Septic Tank Conversion Plants
- ◆ Uni:Ensign Sewage Treatment Plants
- ◆ Ultra Polylok Sewage Treatment & Ultra Violet Treatment
- ◆ Hollands Pump Chambers
- ◆ Green Filter Septic Tanks
- ◆ Five Filter "the aerated 20:30 effluent" Septic Tank"
- ◆ Polylok Filters



Marsh septic tanks and sewage treatment plants are listed on the British Water web pages of certified products for installation in the United Kingdom meeting and certified to EN12566 standards.